

IPC Configuration for 3-Phase AC Application

Micropac's AC Industrial Power Controllers (53287 series) are designed to protect and control single phase AC loads. The simple external circuit shown in Figure 1 allows three IPC's to completely protect and control a 3-phase load. By monitoring the status of each IPC, an overload on any phase can be used to command all IPC's to the off-state. The output status is also reported externally for easy detection of a tripped device by a master controller to take any appropriate action such as attempting a restart, initiating a contingency plan (e.g., start a backup system, compensate with other on-line systems, initiate a controlled shutdown of an overall system, initiate an emergency response), or notification of maintenance personnel.

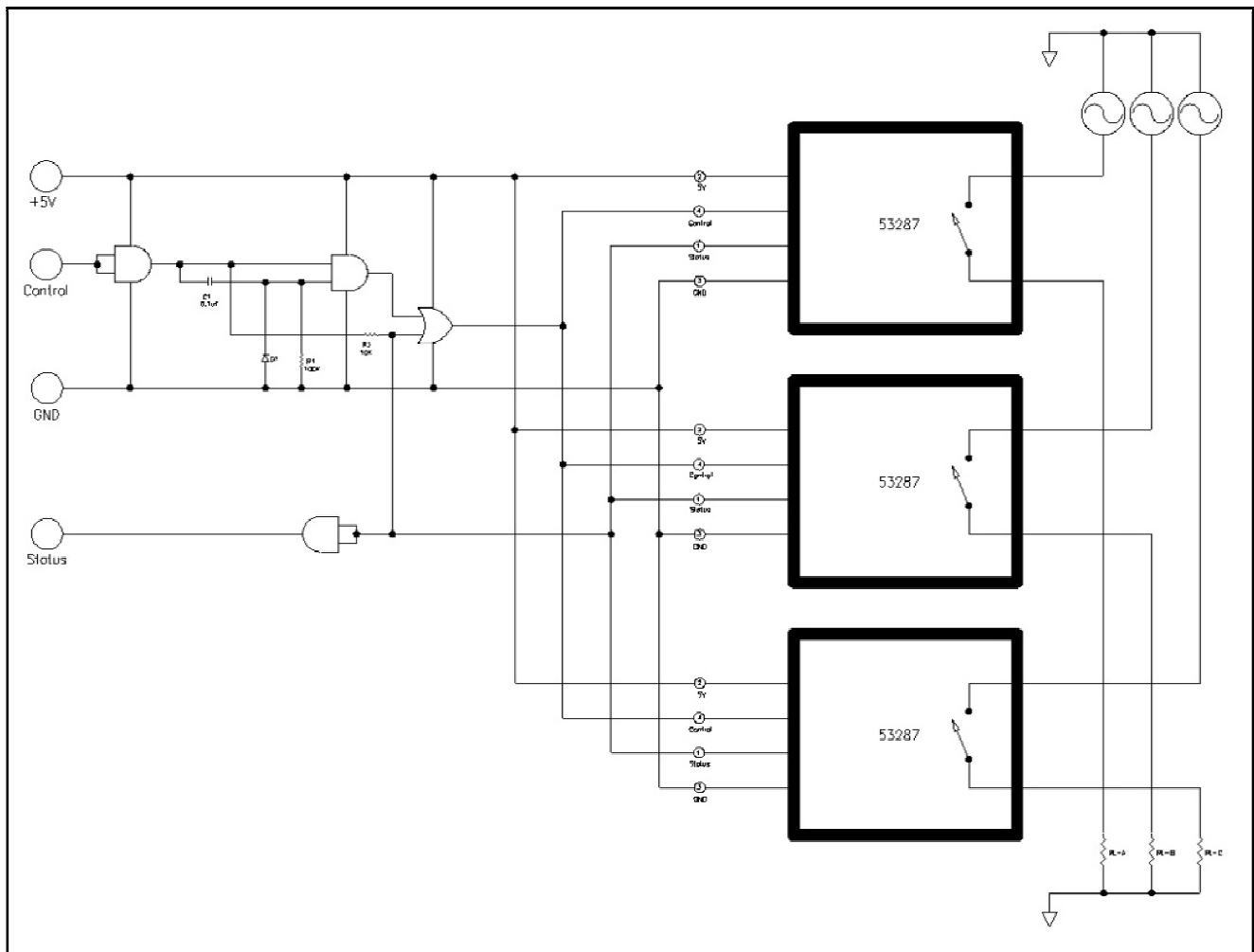






Figure 1 - Three-Phase Load Protection with Micropac IPCs

Designers should consider all aspects of the system for proper selection of the IPC. Special consideration should be given to maximum expected load voltages, currents, current rating of

wiring and connectors. Of particular concern are fault conditions. Micropac IPC's react quickly to load faults which can cause voltage transients, especially when large currents and large inductance (consider wiring inductance) are involved, that can exceed the voltage rating of and result in damage to the IPC. Select an IPC with a voltage rating above any expected voltage. As a general practice, Micropac recommends snubbing and voltage transient protection as part of a well designed system (see AN-9002 for recommendations on snubbing and transient voltage protection). A well designed system provides protection for the power source, wiring, connectors, load and the IPC.

Table 1 - Micropac IPC Product Line

	Micropac Part Number	Description	Rating
	53286-001	28VDC applications; MIL-STD-704E and MIL-STD-1760E compliant I ² T and instant trip overload protection; Output enable; Output status; -55°C to +125°C	V _{I-O} 500V V _O 100V; I _O 10 A DC
	53286-002	270VDC applications; MIL-STD-704E and MIL-STD-1760E compliant I ² T and instant trip overload protection; Output enable; Output status; -55°C to +125°C	V _{I-O} 750V V _O 500V; I _O 5 A DC
	53287-001	28VAC applications; MIL-STD-704E and MIL-STD-1760E compliant I ² T and instant trip overload protection; Output enable; Output status; -55°C to +125°C	V _{I-O} 750V RMS V _O 100V RMS; I _O 10 A AC
	53287-002	110 - 220VAC applications; MIL-STD-704E and MIL-STD-1760E compliant I ² T and instant trip overload protection; Output enable; Output status; -55°C to +125°C	V _{I-O} 1,000V RMS V _O 500V RMS; I _O 5 A AC



IMPORTANT NOTICE

Micropac Industries Incorporated (Micropac) reserves the right to make corrections, modifications, enhancements, improvements, and other changes to its products and services at any time and to discontinue any product or service without notice. Customers should obtain the latest relevant information before placing orders and should verify that such information is current and complete. All products are sold subject to Micropac's terms and conditions of sale supplied at the time of order acknowledgment.

Micropac warrants performance of its hardware products to the specifications applicable at the time of sale in accordance with Micropac's standard warranty. Testing and other quality control techniques are used to the extent Micropac deems necessary to support this warranty. Except where mandated by government requirements, testing of all parameters of each product is not necessarily performed.

Micropac assumes no liability for applications assistance or customer product design. Customers are responsible for their products and applications using Micropac components. To minimize the risks associated with customer products and applications, customers should provide adequate design and operating safeguards.

Micropac does not warrant or represent that any license, either express or implied, is granted under any Micropac patent right, copyright, or other Micropac intellectual property right relating to any combination, machine, or process in which Micropac products or services are used. Information published by Micropac regarding third-party products or services does not constitute a license from Micropac to use such products or services or a warranty or endorsement thereof. Use of such information may require a license from a third party under the patents or other intellectual property of the third party, or a license from Micropac under the patents or other intellectual property of Micropac.

Reproduction of Micropac information in Micropac data sheets is permissible only if reproduction is without alteration and is accompanied by all associated warranties, conditions, limitations, and notices. Reproduction of this information with alteration is an unfair and deceptive business practice. Micropac is not responsible or liable for such altered documentation. Information of third parties may be subject to additional restrictions.

Resale of Micropac products or services with statements different from or beyond the parameters stated by Micropac for that product or service voids all express and any implied warranties for the associated Micropac product or service and is an unfair and deceptive business practice. Micropac is not responsible or liable for any such statements.

Micropac products are not authorized for use in safety-critical applications (such as life support) where a failure of the Micropac product would reasonably be expected to cause severe personal injury or death, unless officers of the parties have executed an agreement specifically governing such use. Buyers represent that they have all necessary expertise in the safety and regulatory ramifications of their applications, and acknowledge and agree that they are solely responsible for all legal, regulatory and safety-related requirements concerning their products and any use of Micropac products in such safety-critical applications, notwithstanding any applications-related information or support that may be provided by Micropac. Further, Buyers must fully indemnify Micropac and its representatives against any damages arising out of the use of Micropac products in such safety-critical applications.

Micropac products are neither designed nor intended for use in military/aerospace applications or environments unless the Micropac products are specifically designated by Micropac as military-grade. Only products designated by Micropac as military-grade meet military specifications. Buyers acknowledge and agree that any such use of Micropac products which Micropac has not designated as military-grade is solely at the Buyer's risk, and that they are solely responsible for compliance with all legal and regulatory requirements in connection with such use.

Micropac products are neither designed nor intended for use in automotive applications or environments unless the specific Micropac products are designated by Micropac as compliant with ISO/TS 16949 requirements. Buyers acknowledge and agree that, if they use any non-designated products in automotive applications, Micropac will not be responsible for any failure to meet such requirements.

Micropac Industries Incorporated

905 E. Walnut St
Garland, TX 75040

(972)272-3571
www.micropac.com